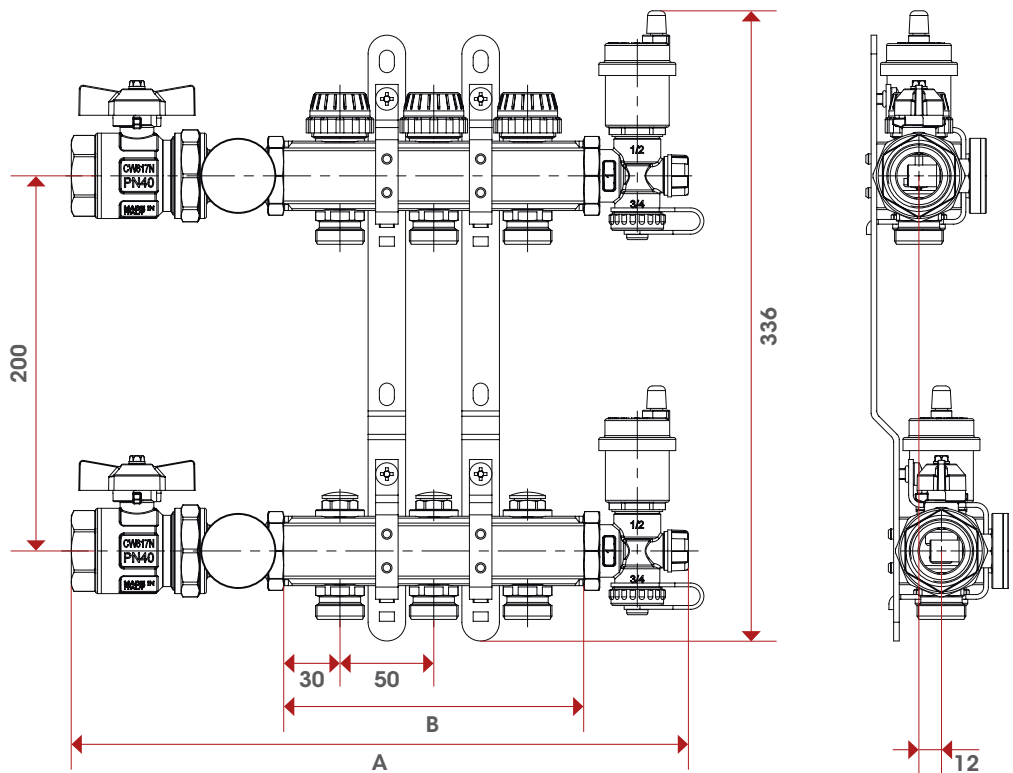


910C



| | 1" x 3/4" | |
|----|-----------|-----|
| | A | B |
| 3 | 329 | 160 |
| 4 | 379 | 210 |
| 5 | 429 | 260 |
| 6 | 479 | 310 |
| 7 | 529 | 360 |
| 8 | 579 | 410 |
| 9 | 629 | 460 |
| 10 | 679 | 510 |
| 11 | 729 | 560 |
| 12 | 779 | 610 |
| 13 | 829 | 660 |